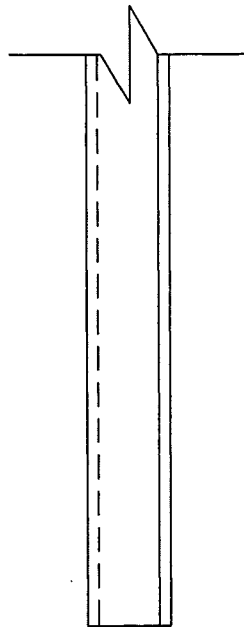
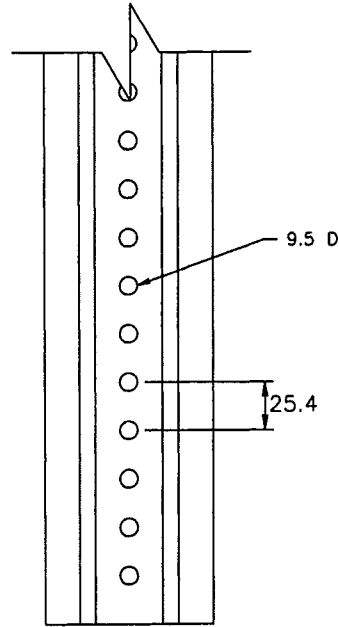


TOP



SIDE

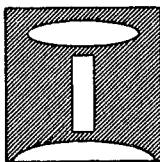


FRONT

SECTION PROPERTIES

DESIGNATOR	UNIT MASS kg/m	DIMENSIONS			
		A	B	C	D
PFP33	3.0	38.51	79.38	31.75	15.88
PFP34	3.7	39.67	79.38	31.75	15.88
PFP35	4.5	44.45	88.90	41.28	18.26
PFP36	6.0	44.53	88.41	42.47	18.82

FRANKLIN DIRECT U-CHANNEL SIGN SUPPORT SYSTEM



FRANKLIN INDUSTRIES COMPANY  
P.O. BOX 671  
FRANKLIN, PA 16323

PFP33-36

SHEET NO.

DATE:

1 OF 2

1-28-97

## SPECIFICATIONS

The Franklin Industries hot rolled flanged U-channel sign supports shall be manufactured from high strength rail steel according to ASTM A499-81, Grade 60. Posts shall be punched full length with 9.5 mm diameter holes spaced on 25.4-mm centers. The first hole shall be 25.4-mm from the top of the post and the bottom of the post shall be tapered. Posts may be finished with either a green weather resistant enamel paint or galvanized per ASTM 123. Posts shall typically be 1800 mm, 2100 mm, 2400 mm, 2700 mm, 3000 mm, 3400 mm, or 3700 mm long. The weight of the sign post sizes are 3.0 kg/m, 3.7 kg/m, 4.5 kg/m, and 6.0 kg/m (PFP33-36).

Designator	Area	I <sub>x</sub>	Z <sub>x</sub>	I <sub>y</sub>	Z <sub>y</sub>	X
PFP33	355	66.6	3.1	174.8	4.4	20.6
PFP34	445	87.4	4.3	228.9	5.7	21.1
PFP35	555	141.5	5.9	362.1	8.2	23.9
PFP36	742	187.3	7.7	503.6	11.3	24.4

## INTENDED USE

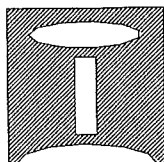
The Franklin Industries U-channel sign posts can be used in a variety of up to 2100-mm wide sign support systems including up to two PFP35 posts directly buried with no splice in strong soil, a SSP08 installation utilizing up to a PFP36 in strong or weak soil, and SSP01a-c sign support systems also utilizing up to PFP36 posts in strong or weak soil. Soil plates are required in SSP01a-c installations in weak soil.

## CONTACT INFORMATION

Franklin Industries Company  
P.O. Box 671  
Franklin, PA 16323  
(814) 437-3726  
Fax: (814) 432-7556

FRANKLIN DIRECT U-CHANNEL SIGN SUPPORT SYSTEM

PFP33-36



FRANKLIN INDUSTRIES COMPANY  
P.O. BOX 671  
FRANKLIN, PA 16323

SHEET NO.

DATE:

2 OF 2

1-28-97